

NDP-500 Specifications

Port Dimensions 226 GPM Max.

Intake & discharge connection:

Stainless Steel	2" Flange & NPT
Air inlet (incl. ball valve):	3/4" Female NPT
Air exhaust (incl. silencer):	1" Female NPT

Note: Flow rates could change based on application conditions.

Maximum Liquid Temperature*

Diaphragm Material	Temperature
Buna N	180°F (82°C)
Neoprene	180°F (82°C)
Santoprene® (TPO)	180°F (82°C)
EPDM	212°F (100°C)
PTFE	212°F (100°C)
Hytrel® (TPEE)	248°F (120°C)
Viton	248°F (120°C)
Ultimate	212°F (100°C)

*The maximum liquid temperature for metal pumps is determined by the elastomer (diaphragm material).

Air Supply Pressure (All Models)

20–125 PSI (1.4–8.7 kgf/cm²)

Discharge Volume Per Cycle

Rubber diaphragm: 1.14 gallons
 Thermoplastic diaphragm: 1.22 gallons
 PTFE diaphragm: 0.70 gallons
 Ultimate diaphragm: 0.69 gallons

Maximum Cycles Per Minute*

Rubber diaphragm: 183
 Thermoplastic diaphragm: 180
 PTFE diaphragm: 259
 Ultimate diaphragm: 302

*Approximates @ 100 PSI

Maximum Size Solid 5/16 (8mm)

Maximum Dry Suction Lift 18 ft

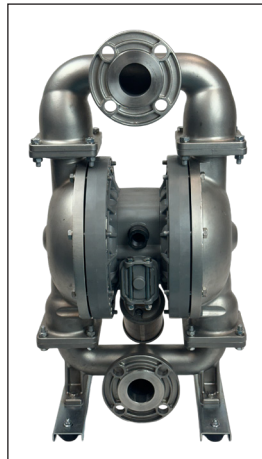
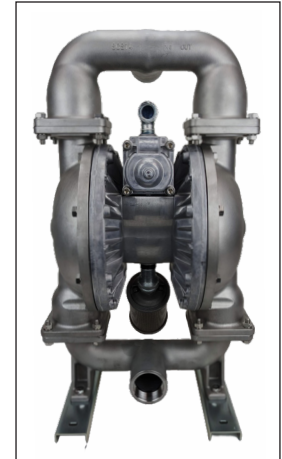
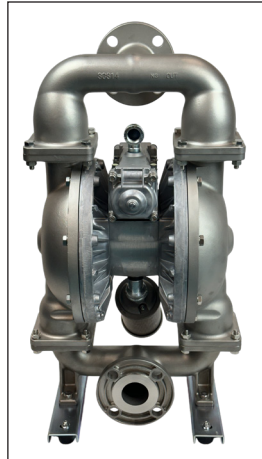
Air Motor

Aluminum air motor standard on metal pumps.

Air Motor Options

Polypropylene (PP) air motor on metal pumps.
 PTFE grey coating (XP) on aluminum air motors

Valve Type Ball



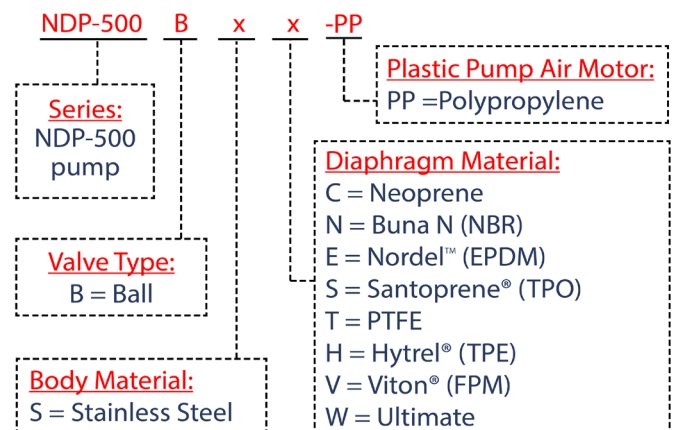
Stainless Steel

NPT Dimensions:
17"L x 12.84"W x 29.13"H
Flange Dimensions:
16.69"L x 12.84"W x 30.77"H
Net Wt.: 134 lbs.
Shipping Wt.: 144 lbs.

← Stainless Steel (PP)

NPT Dimensions:
16.69"L x 12.99"W x 29.13"H
Flange Dimensions:
16.69"L x 12.99"W x 30.77"H
Net Wt.: 134 lbs.
Shipping Wt.: 144 lbs.

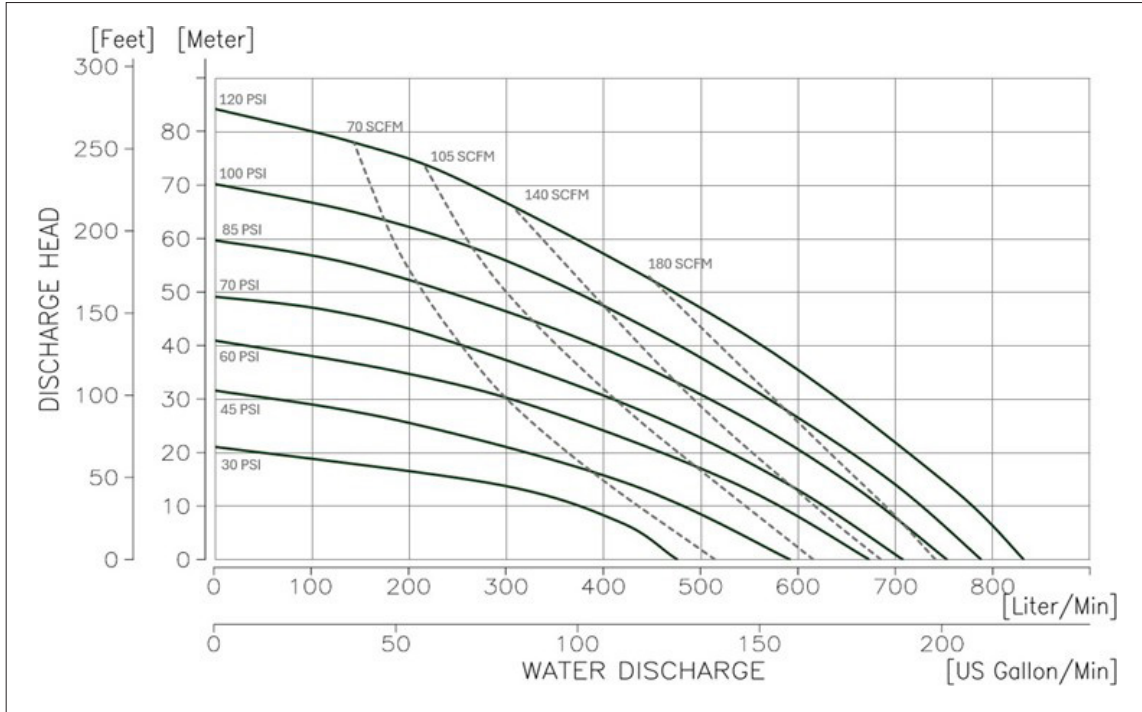
Model Number Nomenclature



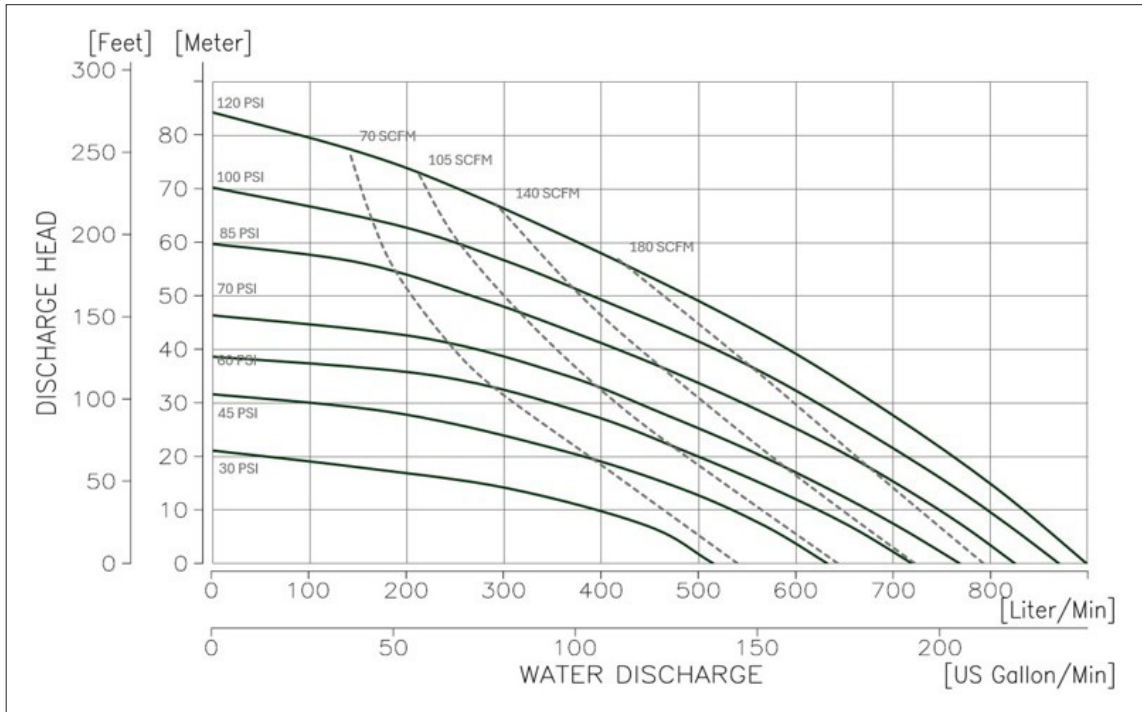
*Consult factory for additional options.

Performance Curve

NDP-500 - Rubber Performance Curve

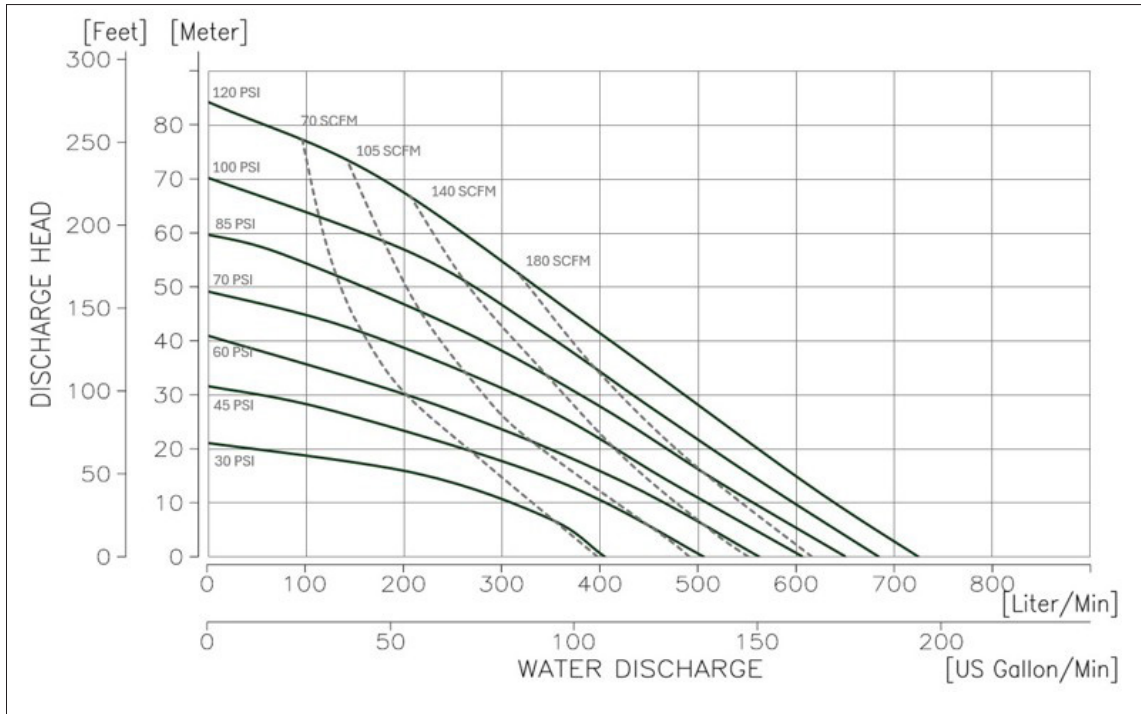


NDP-500 - Thermoplastic Performance Curve

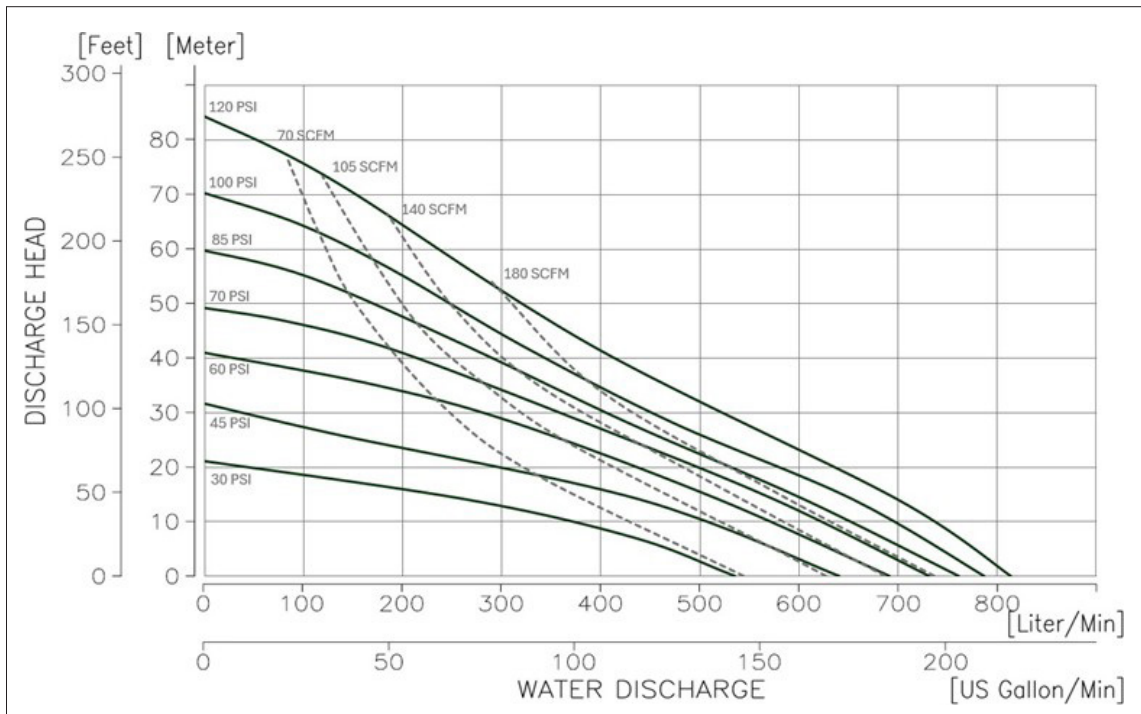


Performance Curve

NDP-500 - PTFE Performance Curve

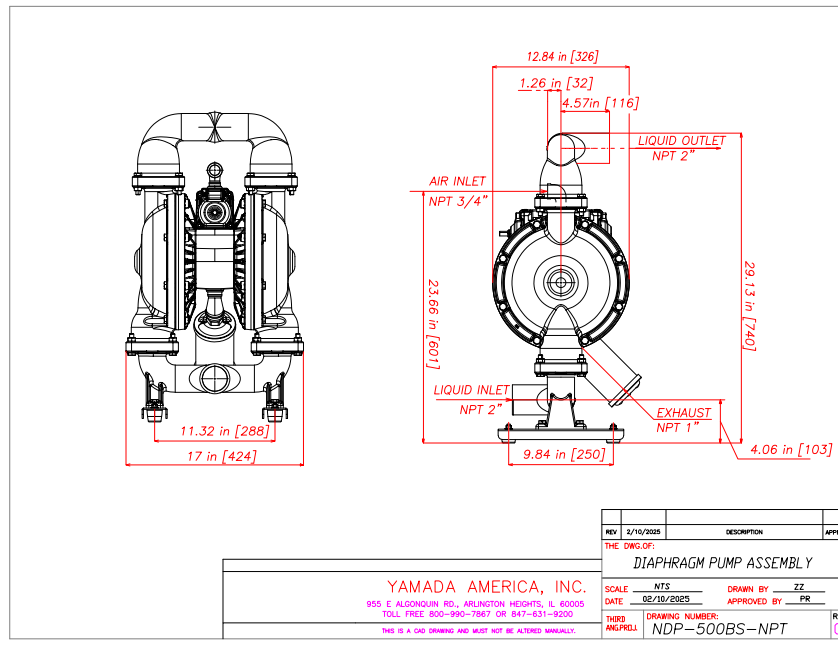


NDP-500 - Ultimate Performance Curve

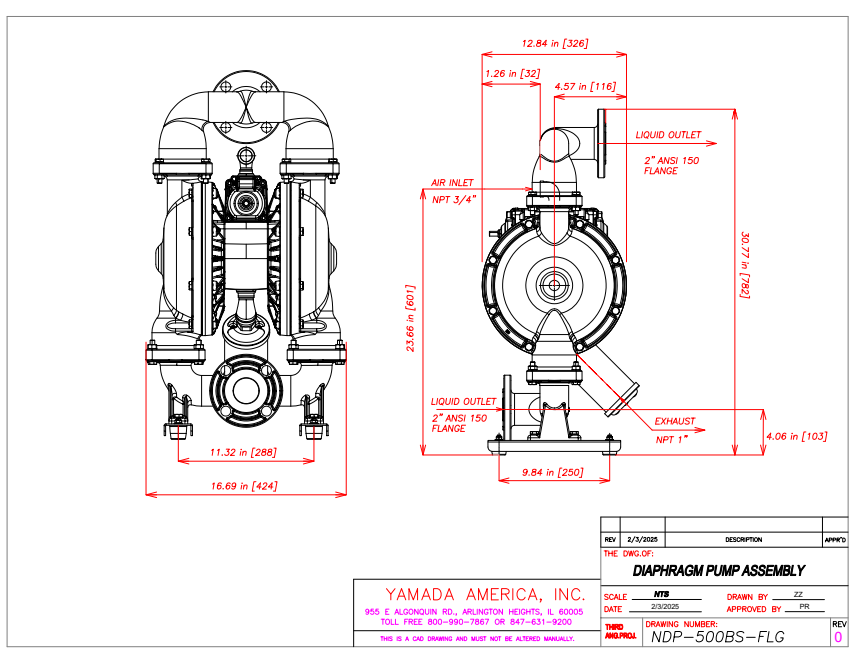


Dimensions

NDP-500 Metal - NPT

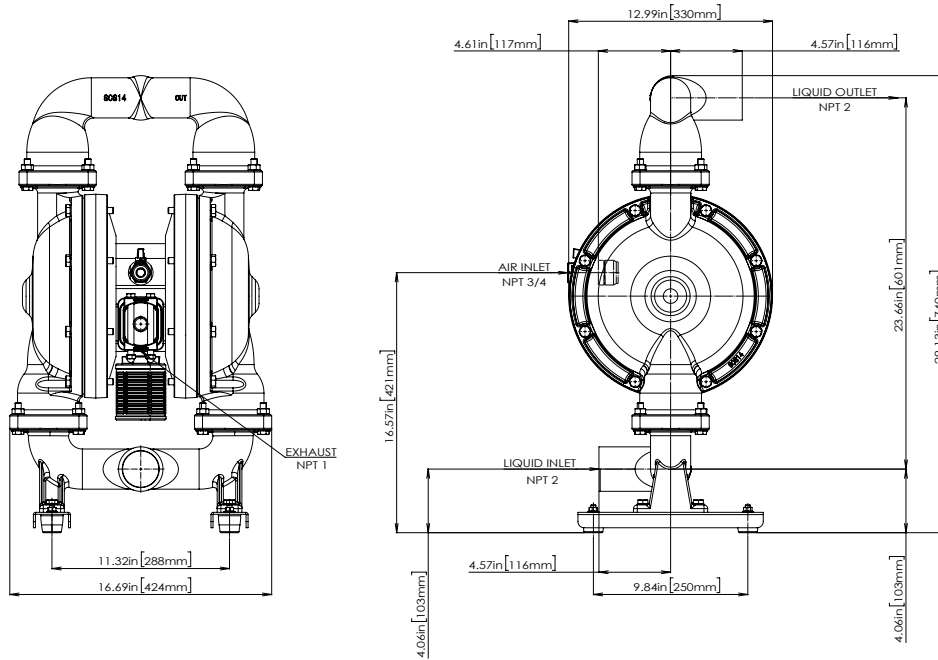


NDP-500 Metal - FLANGE

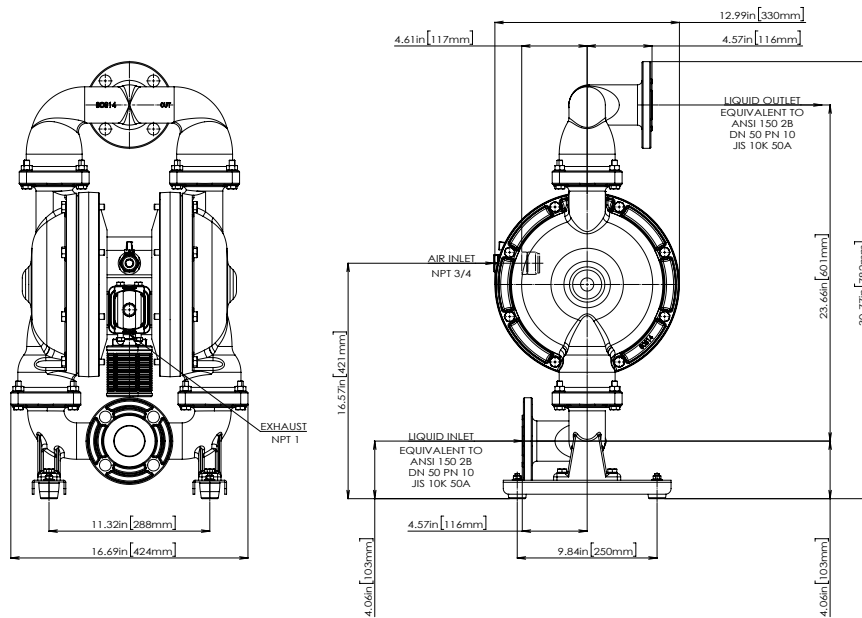


Dimensions

NDP-500 Metal w/Plastic Center Body (PP) - NPT



NDP-500 Metal w/Plastic Center Body (PP) - FLANGE



Hytrel® is a registered trademark of E.I. du Pont de Nemours and Company.
Santoprene® is a registered trademark of Advanced Elastomer Systems.
Yamada® is a registered trademark of Yamada America, Inc.
Global Series® is a registered trademark of Yamada America, Inc.
The Proof's in the Pump® is a registered trademark of Yamada America, Inc.
The Proof is in the Pump® is a registered trademark of Yamada America, Inc.
Engineered to Perform. Designed to Outlast.® is a registered trademark of Yamada America, Inc.
 Due to Yamada's continued commitment to product improvement, specifications may change without notice.