

G25 Specifications

Port Dimensions (40.1 GPM Max.)

Intake & discharge connection:

Aluminum (ADC-12)	1" Female NPT
Air inlet (incl. ball valve):	3/8" Female NPT
Air exhaust (incl. silencer):	3/4" Female NPT

Maximum Liquid Temperature*

Diaphragm Material	Temperature
Buna N	180°F (82°C)
Hytrel® (TPE)	248°F (120°C)
Santoprene® (TPO)	212°F (100°C)
PTFE	212°F (100°C)

*The maximum liquid temperature for metal pumps is determined by the elastomer (diaphragm material).

Air Supply Pressure (All Models)

20–100 PSI (1.4–7 kgf/cm²)

Discharge Volume Per Cycle

Rubber diaphragm: 0.158 gallons
PTFE diaphragm: 0.118 gallons

Maximum Cycles Per Minute

Rubber diaphragm: 253
PTFE diaphragm: 297

Maximum Size Solid

1/8" (3 mm)

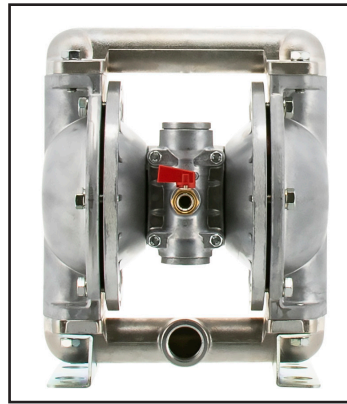
Air Motor

Aluminum air motor standard on metal pumps.

Valve Type

Ball

Notes: Santoprene® fitted pumps include EPDM wetted o-rings.



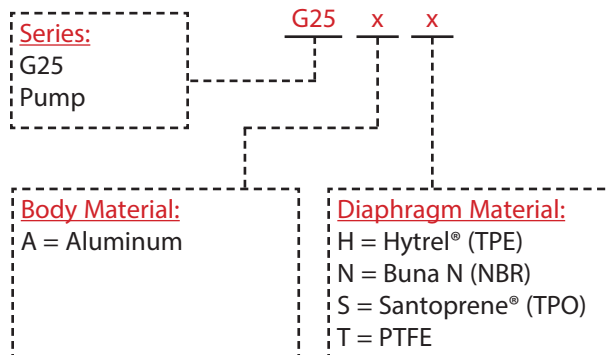
Aluminum (NPT)

Dimensions: 10.04"L x 8.27"W x 12.44"H

Net Wt.: 20.3 lbs. (9.2 kg)

Shipping Wt.: 25 lbs.

Model Number Nomenclature

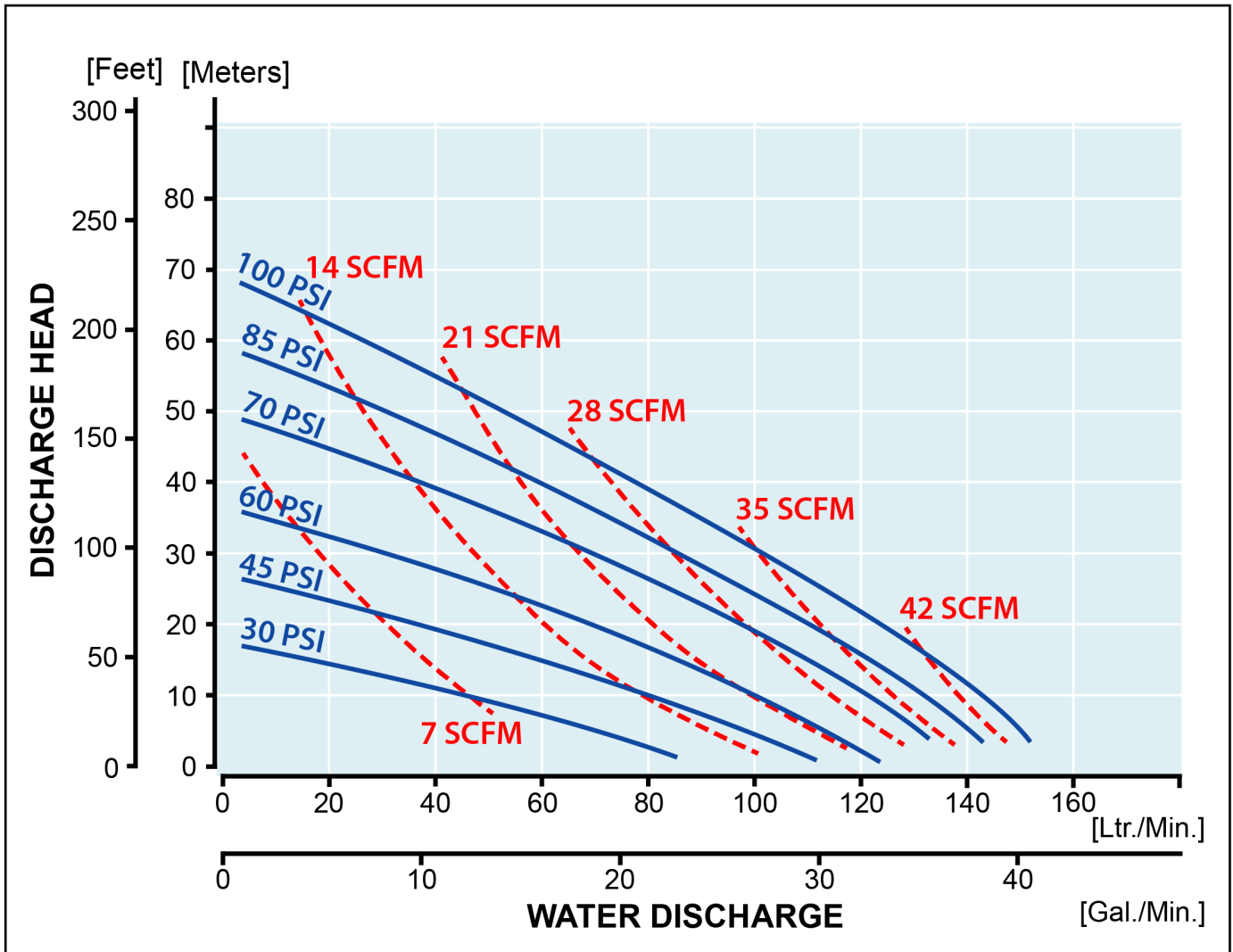


G25 Series Models

G25AH	G25AS
G25AN	G25AT

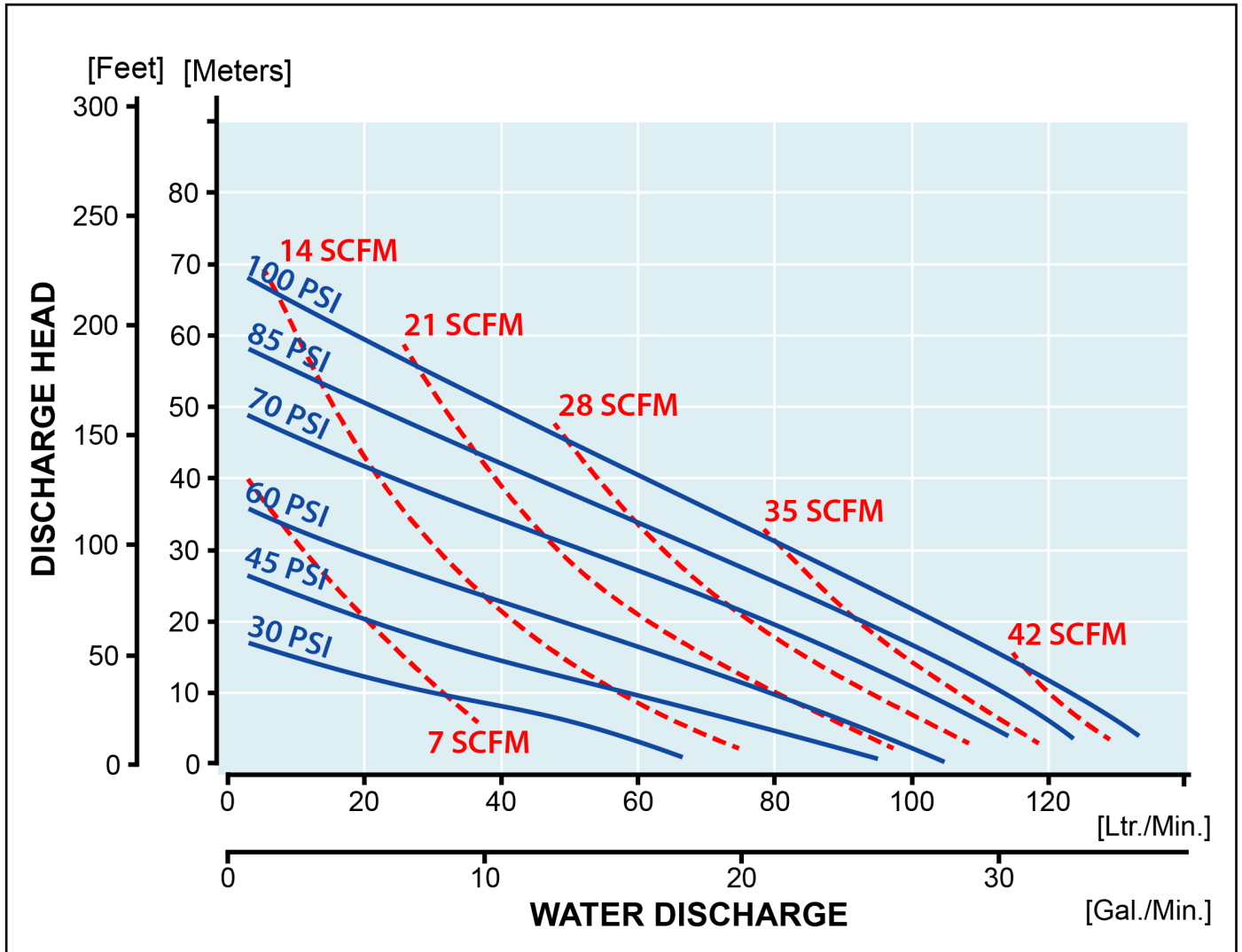
G25A Performance Curve - Rubber

Rubber Diaphragm Performance Curve

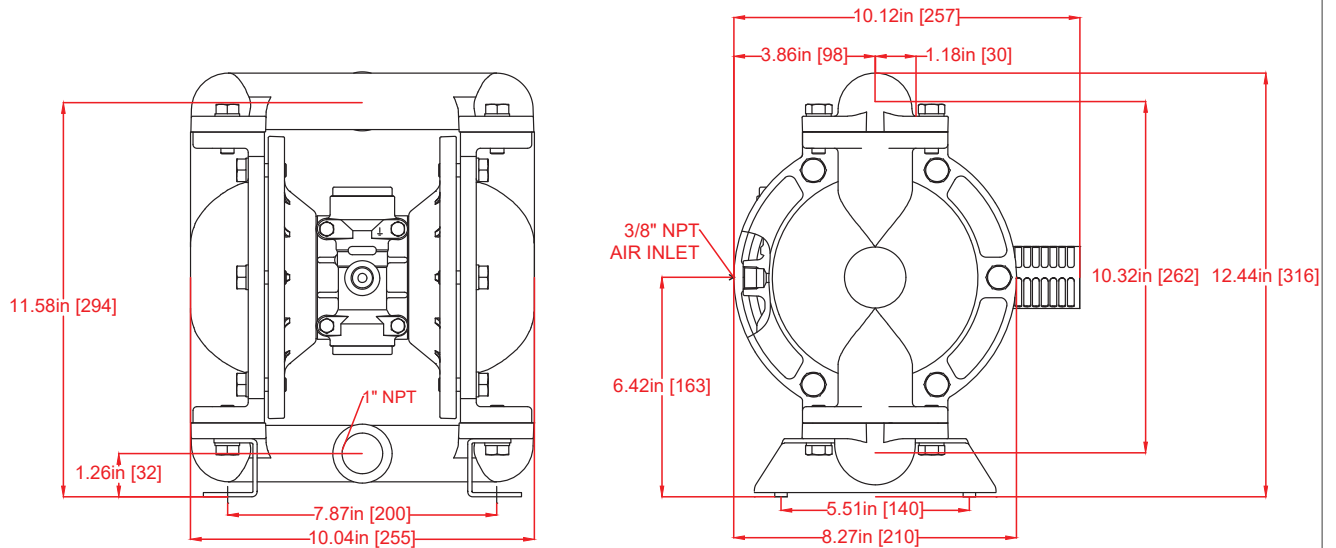


G25A Performance Curve - PTFE

PTFE Diaphragm Performance Curve



G25 Aluminum



YAMADA AMERICA, INC.
 955 EAST ALGONQUIN RD - ARLINGTON HEIGHTS, ILLINOIS 60005
 TOLL FREE 800-990-7867 OR 847-631-9200
 THIS IS A CAD DRAWING AND MUST NOT BE ALTERED MANUALLY.

REV	DATE	DESCRIPTION	APPR'D
THE DWG.OF:			
G25 ALUMINUM SERIES			
SCALE	-	DRAWN BY	MK
DATE	12/07/21	APPROVED BY	PR
THIRD ANG.PROJ.	DRAWING NUMBER:		REV
	G25A		0

AutoCAD® is a registered trademark of Autodesk, Inc.

Hytrel® is a registered trademark of E.I. du Pont de Nemours and Company.

Kynar® is a registered trademark of Arkema.

Nordel™ is a trademark of DuPont Dow Elastomers.

Ryton® is a registered trademark of Chevron Phillips Chemical Company.

Santoprene® is a registered trademark of Advanced Elastomer Systems.

Viton® is a registered trademark of DuPont Performance Elastomers.

Swagelok™ & VCR™ are trademarks of the Swagelok Companies.

Flaretek® is a registered trademark of Entegris.

Garlock ONE-UP® is a registered trademark of W.L. Gore & Associates.

Yamada® is a registered trademark of Yamada America, Inc.

SolidPRO Designed to Pump Fluids Containing Solids® is a registered trademark of Yamada America, Inc.

Xtreme Duty Pro XDP® is a registered trademark of Yamada America, Inc.

The Proof's in the Pump® is a registered trademark of Yamada America, Inc.

The Proof is in the Pump® is a registered trademark of Yamada America, Inc.

Engineered to Perform. Designed to Outlast.® is a registered trademark of Yamada America, Inc.

Due to Yamada's continued commitment to product improvement, specifications may change without notice.