

Pulsation Dampener



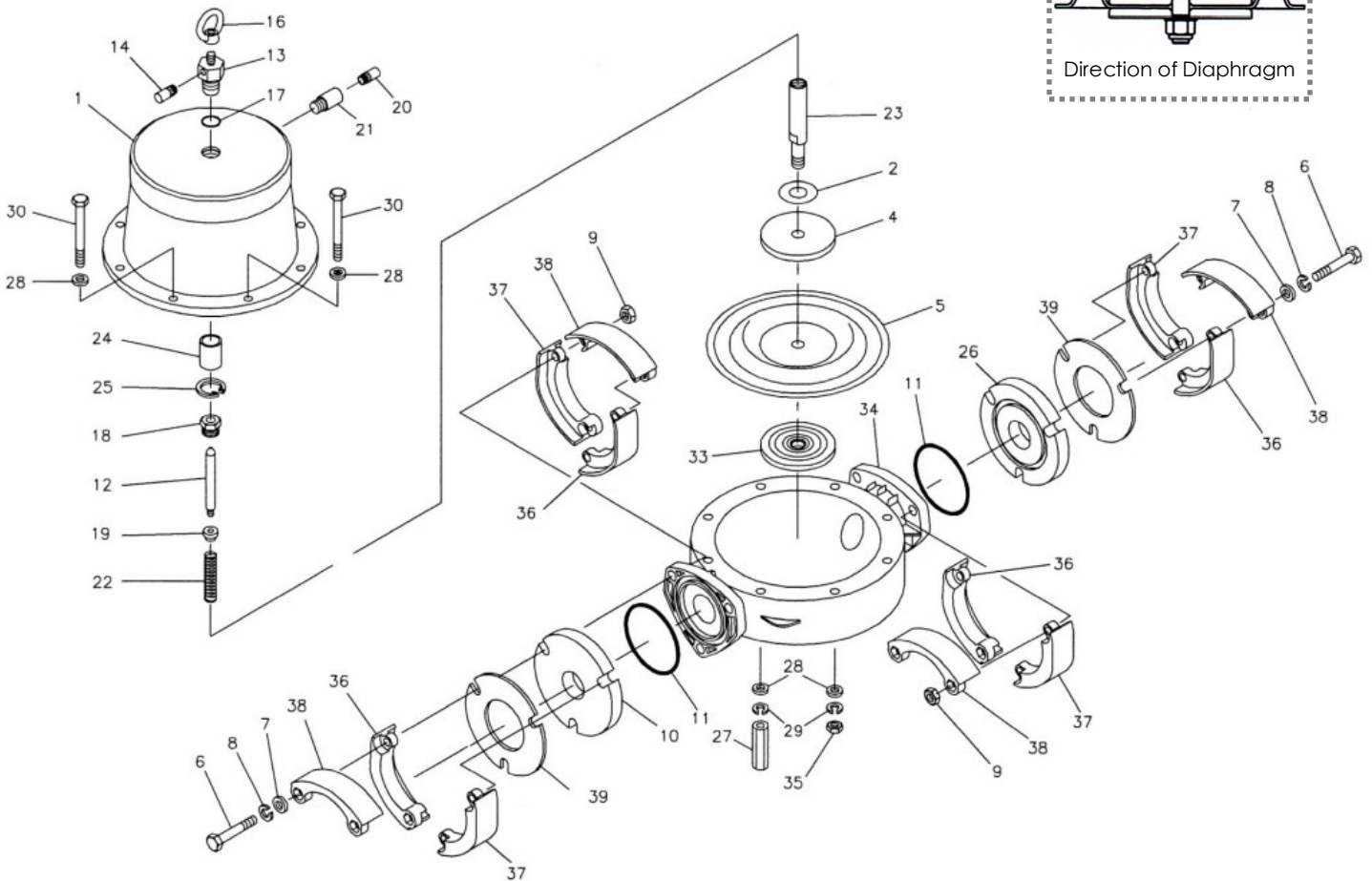
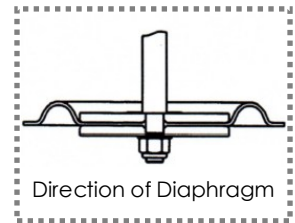
To Purchase:

- 800-990-7867
- [sales@yamadapump.com](mailto:sales@yamadapump.com)
- [Find My Rep](#)

More Information:

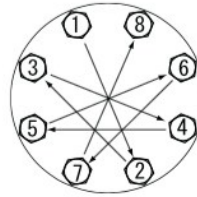
- YouTube: @yamadapump
- [yamadapump.com](http://yamadapump.com)
- Data Sheets | CAD Drawings | Manuals  
Literature | BOM | Performance Curves*

**Trial Program**



Pulsation Dampener

| Ref No. | Item Code | Description           | Qty. |
|---------|-----------|-----------------------|------|
| 1       | 713310    | AIR CHAMBER           | 1    |
| 2       | 771316    | CUSHION               | 1    |
| 4       | 711904    | CENTER DISK           | 1    |
| 5       | 771703    | DIAPHRAGM             | 1    |
| 6       | 621213    | BOLT                  | 6    |
| 7       | 631331    | PLAIN WASHER          | 6    |
| 8       | 680607    | SPRING LOCK WASHER    | 6    |
| 9       | 687296    | NUT                   | 6    |
| 10      | 772223    | FLANGE OUT            | 1    |
| 11      | 772063    | O RING                | 2    |
| 12      | 795081    | VALVE                 | 1    |
| 13      | 716408    | VALVE SEAT            | 1    |
| 14      | 802569    | SILENCER ASSEMBLY     | 1    |
| 16      | 630241    | EYE NUT               | 1    |
| 17      | 640017    | O RING                | 1    |
| 18      | 710717    | NUT                   | 1    |
| 19      | 710719    | NUT                   | 1    |
| 20      | 681170    | SILENCER              | 1    |
| 21      | 714085    | UNION                 | 1    |
| 22      | 710762    | SPRING                | 1    |
| 23      | 713443    | CENTER ROD            | 1    |
| 24      | 773092    | THROAT BEARING        | 1    |
| 25      | 630807    | RETAINING RING R TYPE | 1    |
| 26      | 772222    | FLANGE IN             | 1    |
| 27      | 713243    | STUD                  | 4    |
| 28      | 631330    | PLAIN WASHER          | 16   |
| 29      | 680257    | SPRING LOCK WASHER    | 8    |
| 30      | 683542    | BOLT                  | 8    |
| 33      | 771901    | CENTER DISK           | 1    |
| 34      | 780153    | OUT CHAMBER           | 1    |
| 35      | 687295    | NUT                   | 4    |
| 36      | 771786    | PROTECTOR A           | 4    |
| 37      | 771787    | PROTECTOR B           | 4    |
| 38      | 771788    | PROTECTOR C           | 4    |
| 39      | 714104    | REINFORCEMENT PLATE   | 2    |



[CLICK HERE FOR TORQUE](#)



**General Tools:**

- Socket wrench - 17mm, 19mm, 24mm
- Box Wrench - 17mm, 19mm
- Snap Plyer
- Adjustable Angle Wrenches
- Flat-Blade Screw Driver

**Miscellaneous:**

- Thread Locking Agent—Equivalent to LOCTITE® 222
- Urea grease grade (NLGI) No. 2 for Center Rod (Ref# 22)

**[MAINTENANCE MANUAL](#)**

**Customer Notes**

Model #: \_\_\_\_\_

Description: \_\_\_\_\_

Serial #: \_\_\_\_\_

Date Installed: \_\_\_\_\_

Department Location: \_\_\_\_\_

Tag/Project: \_\_\_\_\_