

Pulsation Dampener

Model: AD-25PC
 Model #: 853348



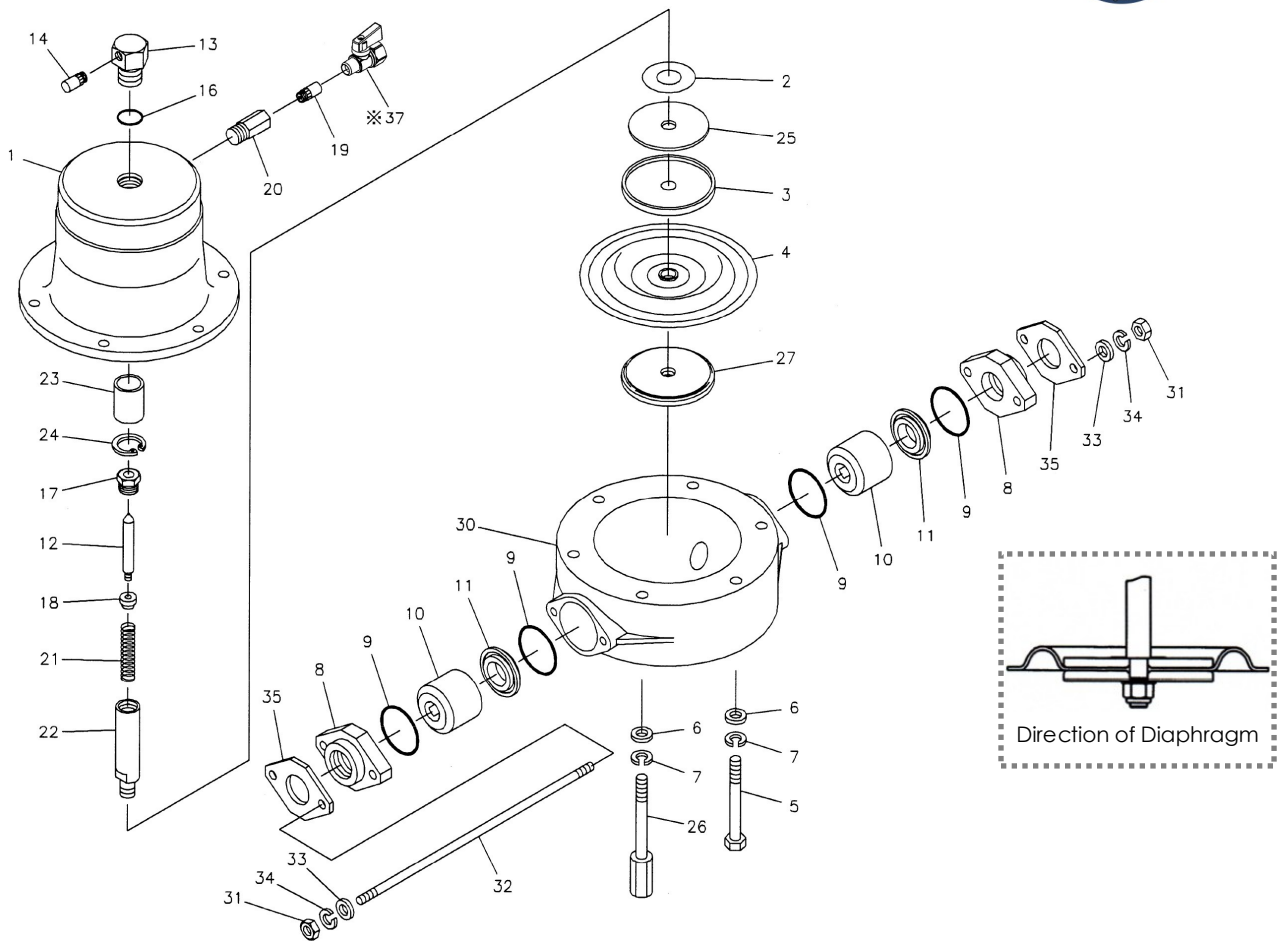
To Purchase:

- ☎ [800-990-7867](tel:800-990-7867)
- ✉ sales@yamadapump.com
- 📍 [Find My Rep](#)

More Information:

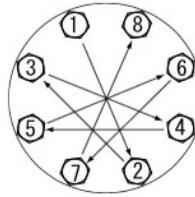
- ▶ YouTube: [@yamadapump](#)
- 🌐 yamadapump.com
- [Data Sheets](#) | [CAD Drawings](#) | [Manuals](#)
[Literature](#) | [BOM](#) | [Performance Curves](#)

Trial Program



Pulsation Dampener

REF. No.	Part No.	DESCRIPTION	QTY.
1	711251	AIR CHAMBER	1
2	771316	CUSHION	1
3	716258	CENTER DISK	1
4	771258	DIAPHRAGM	1
5	621189	BOLT	2
6	631330	PLAIN WASHER	6
7	680257	SPRING WASHER	6
8	772216	FLANGE	2
9	640042	O RING	4
10	771231	BALL GUIDE	2
11	780138	VALVE SEAT	2
12	795079	VALVE	1
13	716451	VALVE SEAT	1
14	802569	MUFFLER	1
16	640017	O RING	1
17	710717	NUT	1
18	710719	NUT	1
19	681170	MUFFLER	1
20	714085	UNION	1
21	710720	SPRING	1
22	710928	CENTER ROD	1
23	773092	THROAT BEARING	1
24	630807	RETAINING RING	1
25	716259	WASHER	1
26	710930	STUD	4
27	780125	CENTER DISK	1
30	780135	OUT CHAMBER	1
31	687229	NUT	4
32	710932	TIE ROD	2
33	631329	PLAIN WASHER	4
34	681300	SPRING WASHER	4
35	710929	FLANGE	2



[CLICK HERE FOR TORQUE](#)



General Tools:

- Socket wrench - 13mm, 17mm
- Box Wrench - 13mm, 17mm
- Snap Plyer
- Adjustable Angle Wrenches
- Flat-Blade Screw Driver
- 771244 Center Disk Wrench (sold separately)

Miscellaneous:

- Thread Locking Agent—Equivalent to LOCTITE® 222
- Urea grease grade (NLGI) No. 2 for Center Rod (Reff# 22)

[MAINTENANCE MANUAL](#)

Customer Notes

Model #: _____
 Description: _____
 Serial #: _____
 Date Installed: _____
 Department Location: _____
 Tag/Project: _____